



SCREEN AND DISC FILTER FOR IRRIGATION

CDFS® Company File

Based in China, Dawning is filtration equipment company developing, producing and selling since 2002. We specialize in providing water filtration system for 20 years, focus on saving water and energy, simplifying maintenance, improving the quality of agricultural and industrial water.

Our products are widely applied in agriculture irrigation, landscape irrigation, golf course irrigation and industrial water recycle.

Our company is located in Changsha, China There are three major teams: foreign trade team, the domestic trade team with engineering background and the R&D team. Our R&D teams are high ability in the design of the drawing, software, electronic hardware, structural engineering, molding and industrial application.

Our production park have 20,000 square meters, with an annual output of more than 5000 sets of filter. Automated production line include cutting, welding, grinding, spraying, testing, assembling.

Our company is strong capacity in supplying chain management, integrated production and manufacturing. Self-produced products rate is more than 60%. We are deeply researching in intelligent pumping station, fertilization system for agricultural.

Dawning filtration system has been widely used in hundreds of countries and regions such as America, Canada, Chile, Australia, Italy, UK, Singapore, Philippines, Malaysia, Indonesia, Dubai, etc. We owned 9 patents and adopted the ISO9001 and CE.

Providing the perfect solution for our customers is our eternal pursuit. This not only shows the same concern for improving the production efficiency and profit return of customers, but also taking environmental protection energy as our duty.

We believe that we will always be your reliable partner.



Y series Disc Filter

Y series Disc filter adopts lamination filter element, having high filtration efficiency and large dirt holding capacity.

Filtration accuracy between 20-600 microns with different nozzle sizes.

Compact design, easy maintenance and cleaning

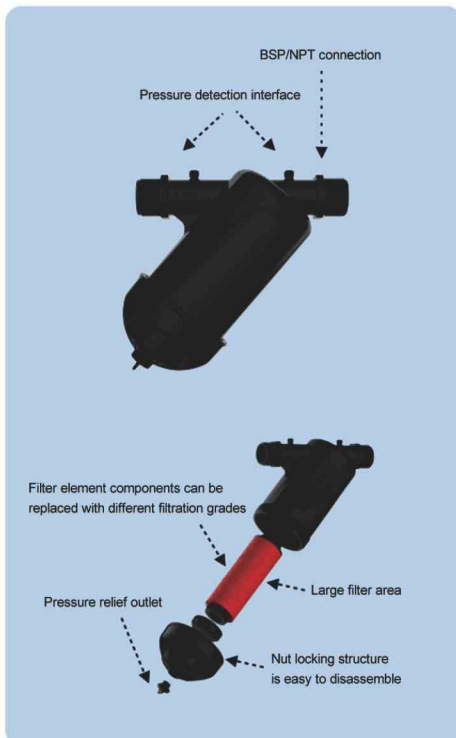


Application

For all kinds of household water filtration, agricultural irrigation, and small flow requirements of municipal garden irrigation. It is installed after the pressure pump or in the pressure pipeline to filter the particulate dirt.

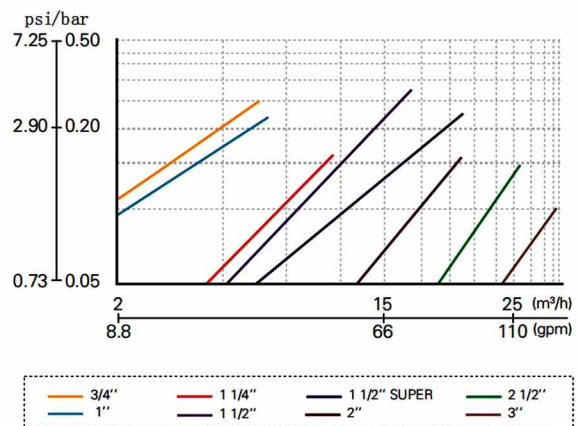
Product Features

- The compact structure design of Y type makes it easy to disassemble the filter element in a small space;
- Micron-level filtration precision;
- Innovative lamination depth groove design to accommodate a large amount of dirt and impurities;
- Corrosion-resistant acid-base, wear-resistant material design, long service life;
- The structure design of screw locking can easily remove the filter element for cleaning;
- Different nozzle sizes meet different usage scenarios and the needs of different customers;
- Preset hydraulic pressure detection connection bolt port.



Pressure Loss

Y series filter head loss 130 microns (120 mesh)



Tip: Flow data will vary depending on the quality of the water

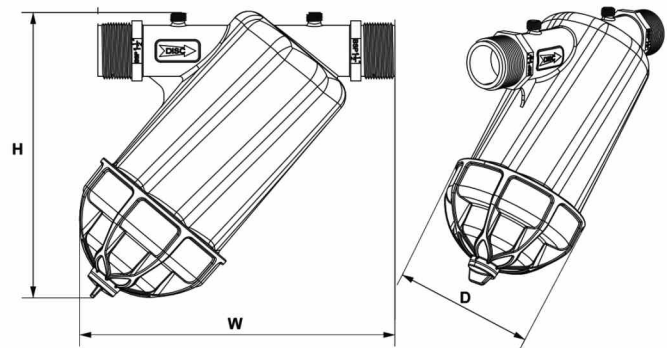
Y Series Disc Filter Specification Table

Model	Water in/out	Filtration degree	Flow max.	Working pressure	Filtration area	Weight
DL-F25YD	3/4"	120	5	8	180	0.39
DL-F25YD-N	3/4"	120	5	8	195	0.35
DL-F32YD	1"	120	6	8	180	0.39
DL-F32YD-N	1"	120	6	8	195	0.35
DL-F40YD	1-1/4"	40/80/120/150	10	8	300	0.96
DL-F50YD	1-1/2"	40/80/120/150	14	8	300	0.96
DL-F63YD	2"	40/80/120/150	25	8	525	1.36
DL-F75YD	2-1/2"	80/120	30	8	600	2.60
DL-F90YD	3"	80/120	35	8	600	2.70



Dimensions

Model	H(mm)	W(mm)	D(mm)
DL-F25YD	173	176	93
DL-F25YD-N	173	192	83
DL-F32YD	173	176	93
DL-F32YD-N	173	192	83
DL-F40YD	230	250	120
DL-F50YD	230	250	120
DL-F63YD	260	290	140
DL-F75YD	330	360	168
DL-F90YD	330	360	168



T Series Disc Filter Specification Table

Model	Water in/out	Filtration degree	Flow max.	Working pressure	Filtration area	Weight
DL-F40TD	1-1/4"	40/80/120/150	10	8	300	1.01
DL-F50TD	1-1/2"	40/80/120/150	14	8	300	1.01
DL-F63TD-X	2"	40/80/120/150	20	8	300	1.03



DL-F40TD



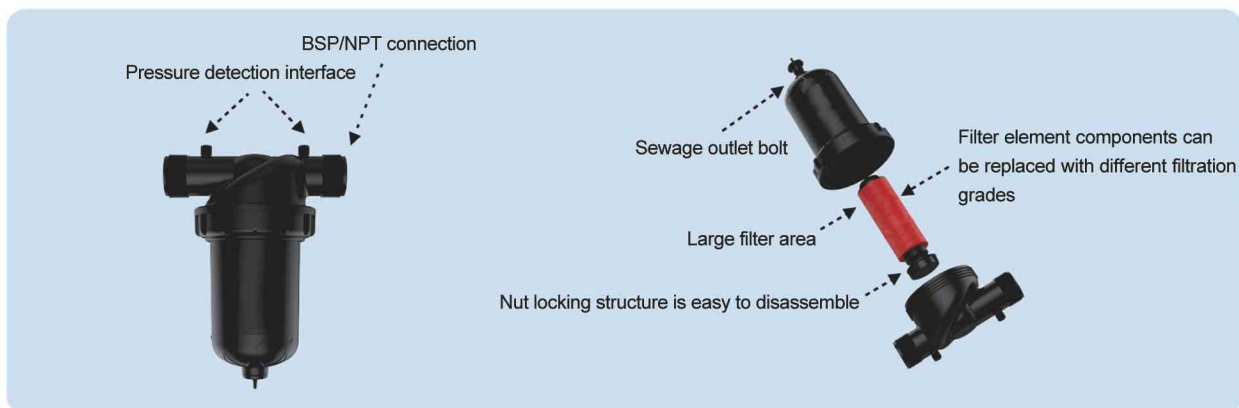
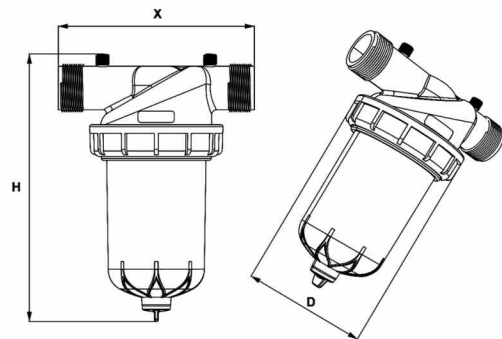
DL-F50TD



DL-F63TD-X

Dimensions

Model	H(mm)	X(mm)	D(mm)
DL-F40TD	280	205	139
DL-F50TD	280	205	139
DL-F63TD-X	280	205	139



Product manual

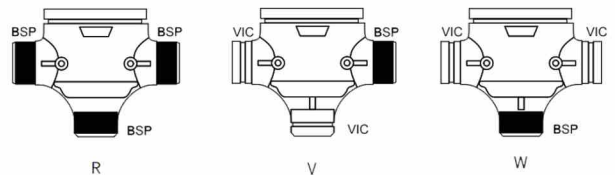
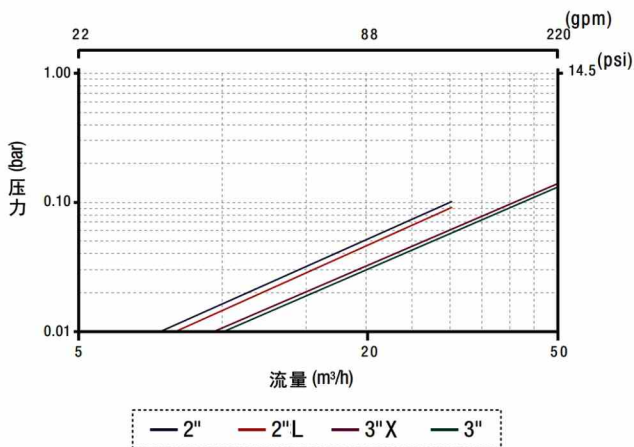
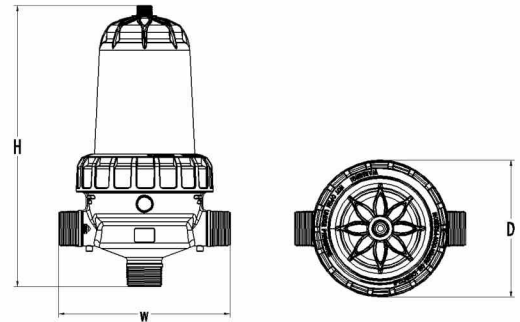
AGL Series Disc Filter Specification Table

Model	Water in/out	Filtration degree	Flow max.	Working pressure	Filtration area	Weight
DL-F63TD-AGL	2"	40/80/120/150/200/300	30	10	1050	4.2
DL-F63TD-L-AGL	2"	40/80/120/150/200/300	30	10	1660	5.4
DL-F90TD-X-AGL	3"	40/80/120/150/200/300	50	10	1050	4.6
DL-F90TD-AGL	3"	40/80/120/150/200/300	50	10	1660	5.9



Dimensions

Model	H(mm)	W(mm)	D(mm)
DL-F63TD-AGL	480	292	233
DL-F63TD-L-AGL	630	292	233
DL-F90TD-X-AGL	528	355	233
DL-F90TD-AGL	678	355	233



T Series Disc Filter Specification Table

Model	Water in/out	Filtration degree	Flow max.	Working pressure	Filtration area	Weight
DL-F63TD	2"	40/80/120/150/200/300	30	10	1200	6.2
DL-F63TD-L	2"	40/80/120/150/200/300	30	10	1700	8.2
DL-F75TD	2-1/2"	40/80/120/150/200/300	40	10	1200	6.4
DL-F75TD-L	2-1/2"	40/80/120/150/200/300	40	10	1700	8.3
DL-F90TD-X	3"	40/80/120/150/200/300	50	10	1200	6.5
DL-F90TD	3"	40/80/120/150/200/300	50	10	1700	8.3



DL-F63TD



DL-F75TD/F90TD-X

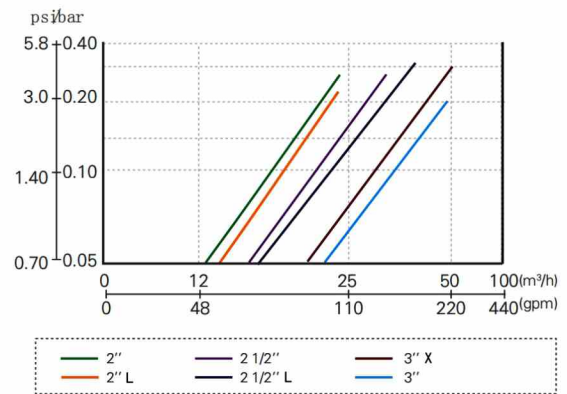


DL-F90TD / F63TD-L / F75TD-L

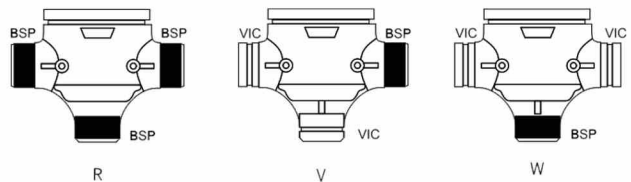
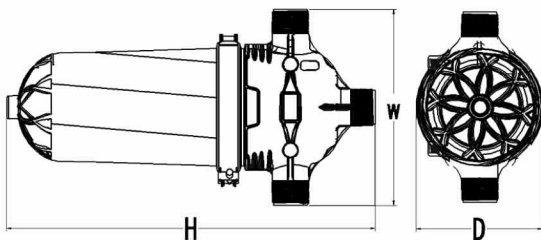
Dimensions

Model	H(mm)	W(mm)	D(mm)
DL-F63TD	620	320	220
DL-F63TD-L	740	320	220
DL-F75TD	630	320	220
DL-F75TD-L	750	320	220
DL-F90TD-X	630	340	220
DL-F90TD	750	340	220

T series filter head loss 130 microns (120 mesh)



Tip: Flow data will vary depending on the quality of the water



H Series Disc Filter Specification Table

Model	Water in/out	Filtration degree	Flow max.	Working pressure	Filtration area	Weight
DL-F90HD	3"	40/80/120/150/200/300	50	10	2400	9.5
DL-F90HD-L	3"	40/80/120/150/200/300	60	10	3400	11.5
DL-F110HD	4"	40/80/120/150/200/300	70	10	2400	9.7
DL-F90HD-L	4"	40/80/120/150/200/300	100	10	3400	11.7



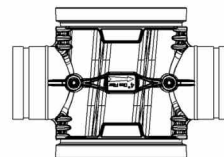
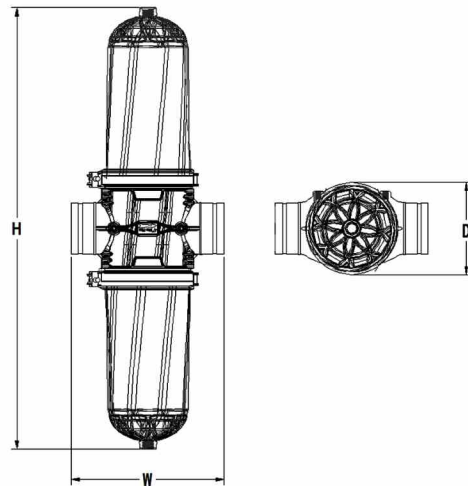
DL-F90HD / F110HD



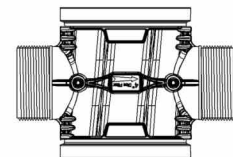
DL-F90HD-L / F110HD-L

Dimensions

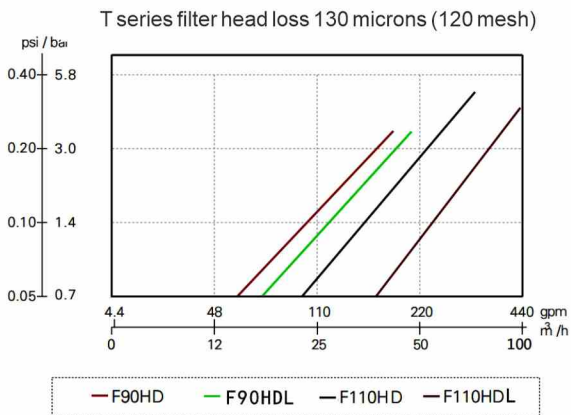
Model	H(mm)	W(mm)	D(mm)
DL-F90HD	940	335	220
DL-F90HD-L	1200	335	220
DL-F110HD	960	340	220
DL-F110HD-L	1220	340	220



GRV



BSP / NPR



Tip: Flow data will vary depending on the quality of the water

Automatic Disc Filter Specification Table

Model	Water in/out	Filtration degree	Flow max.	Working pressure	反洗压力	Filtration area	Weight
DL-F63TDZ	2"	40/80/120/150/200/300	25	10	1.5	1020	6.2
DL-F63TDZ-L	2"	40/80/120/150/200/300	30	10	1.8	1492	8.2
DL-F90TDZ	3"	40/80/120/150/200/300	32	10	1.8	1492	6.4
DL-F90HDZ	3"	40/80/120/150/200/300	50	10	2.0	2040	8.3
DL-F90HDZ-L	3"	40/80/120/150/200/300	55	10	2.0	2984	10.7
DL-F110HDZ	4"	40/80/120/150/200/300	64	10	2.0	2984	13.6



DL-F63TDZ

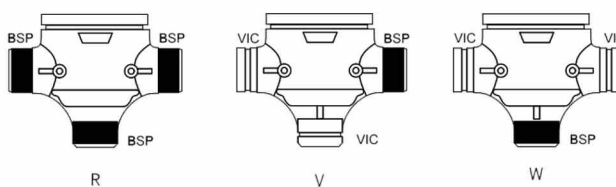
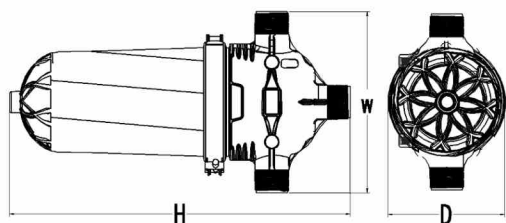
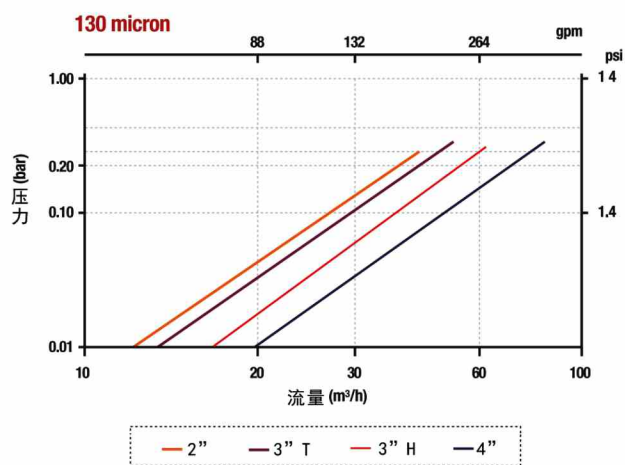
DL-F63TDZ-L / F90TDZ



DL-F90HD / F90HD-L / F110HDZ

Dimensions

Model	H(mm)	W(mm)	D(mm)
DL-F63TDZ	620	320	220
DL-F63TDZ-L	740	320	220
DL-F90TDZ	750	340	220
DL-F90HDZ	975	340	220
DL-F90HDZ-L	1200	340	220
DL-F110HD	1220	340	220



Y Series Screen Filter Specification Table

Model	Water in/out	Filtration degree	Flow max.	Working pressure	Filtration area	Weight
DL-F25YS	3/4"	80/120	5	8	160	0.30
DL-F25YS-N	3/4"	120	5	8	190	0.25
DL-F32YS	1"	80/120	6	8	160	0.30
DL-F32YS-N	1"	120	6	8	190	0.25
DL-F40YS	1-1/4"	80/120	10	8	265	0.71
DL-F50YS	1-1/2"	80/120	14	8	265	0.72
DL-F63YS	2"	80/120	25	8	485	0.98
DL-F75YS	2-1/3"	120	30	8	565	2.03
DL-F90YS	3"	120	35	8	565	2.10



DL-F25YS



DL-F25YS-N



DL-F32YS



DL-F32YS-N



DL-F40YS



DL-F50YS



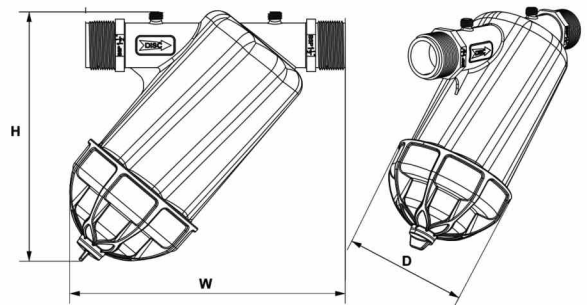
DL-F63YS



DL-F75YS / F90YS

Dimensions

Model	H(mm)	W(mm)	D(mm)
DL-F25YS	173	176	93
DL-F25YS-N	173	192	83
DL-F32YS	173	176	93
DL-F32YS-N	173	192	83
DL-F40YS	230	250	120
DL-F50YS	230	250	120
DL-F63YS	260	290	140
DL-F75YS	330	360	168
DL-F90YS	330	360	168



T Series Screen Filter Specification Table

Model	Water in/out	Filtration degree	Flow max.	Working pressure	Filtration area	Weight
DL-F40TS	1-1/4"	80/120	10	8	265	0.71
DL-F50TS	1-1/2"	80/120	14	8	265	0.73
DL-F63YS-X	2"	80/120	20	8	265	0.75



DL-F40TS



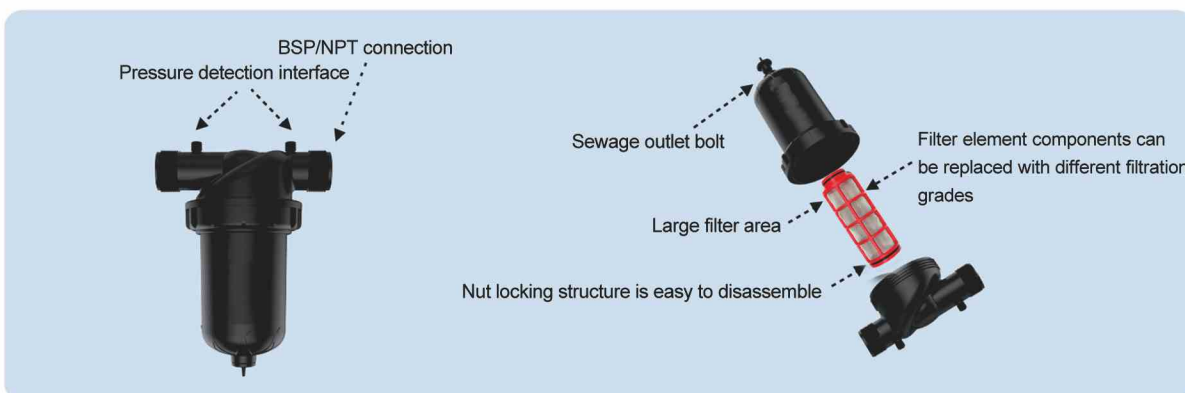
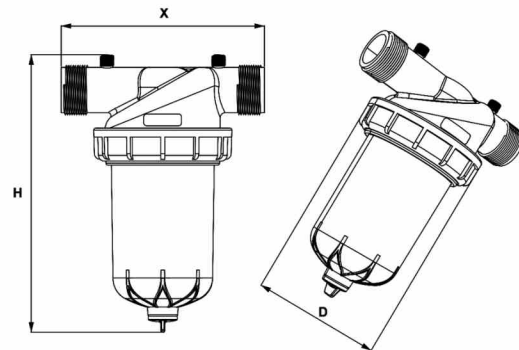
DL-F50TS



DL-F63TS-X

Dimensions

Model	H(mm)	W(mm)	D(mm)
DL-F40TS	280	205	139
DL-F50TS	280	205	139
DL-F63TS-X	280	205	139



T Series Screen Filter Specification Table

Model	Water in/out	Filtration degree	Flow max.	Working pressure	Filtration area	Weight
DL-F63TS	2"	40/80/120/150/200/300	30	10	1200	4.8
DL-F63TS-L	2"	40/80/120/150/200/300	30	10	1700	5.3
DL-F75TS	2-1/2"	40/80/120/150/200/300	40	10	1200	4.9
DL-F75TS-L	2-1/2"	40/80/120/150/200/300	40	10	1700	5.5
DL-F90TS-L	3"	40/80/120/150/200/300	50	10	1200	5.1
DL-F90TS	3"	40/80/120/150/200/300	50	10	1700	5.8



DL-F63TS



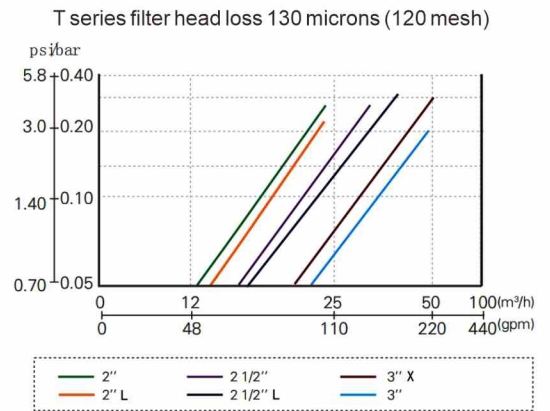
DL-F75TS/F90TS-X



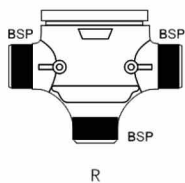
DL-F90TS/F63TS-L/F75TS-L

Dimensions

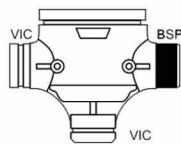
Model	H(mm)	W(mm)	D(mm)
DL-F63TS	620	320	220
DL-F63TS-L	740	320	220
DL-F75TS	630	320	220
DL-F75TS-L	750	320	220
DL-F90TS-L	630	340	220
DL-F90TS	750	340	220



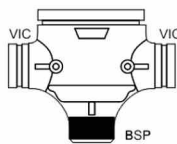
Tip: Flow data will vary depending on the quality of the water



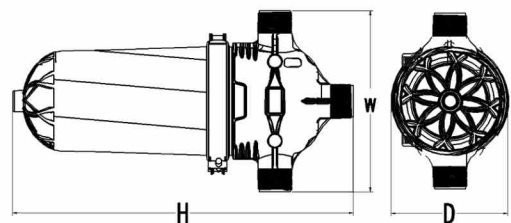
R



V



W



H Series Screen Filter Specification Table

Model	Water in/out	Filtration degree	Flow max.	Working pressure	Filtration area	Weight
DL-F40TS	1-1/4"	80/120	10	8	265	0.71
DL-F50TS	1-1/2"	80/120	14	8	265	0.73
DL-F63YS-X	2"	80/120	20	8	265	0.75



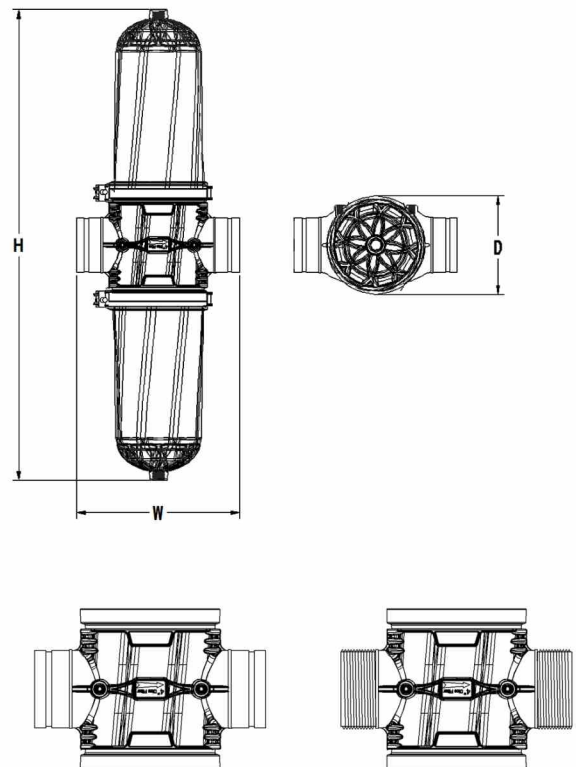
DL-F90HS/F110HS



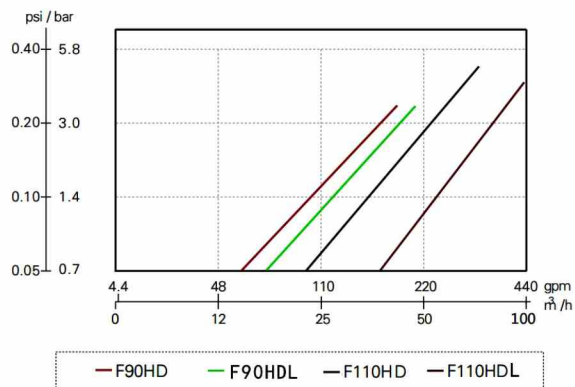
DL-F90HS-L/F110HS-L

Dimensions

Model	H(mm)	W(mm)	D(mm)
DL-F90HS	940	335	220
DL-F90HS-L	1200	335	220
DL-F110HS	960	340	220
DL-F110HS-L	1220	340	220



H series filter head loss 130 microns (120 mesh)



Tip: Flow data will vary depending on the quality of the water



Follow us at Instagram



www.irricdfs.com

Tel : +86-731-84391122 84591122 85797455

Fax : +86-731-85791635

Email : info@irricdfs.com

Website : www.irricdfs.com

Office add. : 14th Floor, Mid-Levels International, Labor East Road, Yuhua District, Changsha City, Hunan Province.

Factory add. : Dalitang Village, Bishi Town, Miluo City, Hunan Province, China.